

Flap Valve 600-1500mm

The original maintenance free flapvalve



KWT flapvalves are very varied and can be used in surface, sewer and process water systems. They are a very simple yet effective way to reliably prevent backflow into the system.

Various mounting methods are available to increase the versatility of the products, and they can also be easily modified for special requirements.

The flapvalve is a traditional method of preventing backflow in pipelines and reduce the effects of flooding. The KWT flapvalve uses modern materials and techniques, and the correct type is easily selected using our tried and tested calculation program. All our products are carefully calculated for strength and are produced using only high quality, pure materials.

A flapvalve consists mainly of a plate that is hinged at the top, connected to a mounting frame. It therefore forms an on-seated seal on the front of the culvert/pipe. Water discharging from the pipe opens the flap, however when the head increases on the downstream side, the flap is pressed against its seal, preventing backflow. KWT flapvalves require only a small head in the pipe to open the flap, as HDPE floats in water- the flapvalves are fitted with a counterweight to balance the flap correctly.

The flapvalve is light in weight, making the flapvalves easy to install, very responsive and also very reliable. The valves are available in various forms, such as the vertically hung flat wall mounted type, as well as pipe mounted, flange mounted and angled wall mounted (mounted on a 15° backward angle to reduce the effect of waves and ensure a good seal).

KWT produces discharge and pump valves as standard in sizes from 100mm diameter upwards, and are happy to assist where something special is required.

Easy to install- no grouting required
Light weight strong HDPE construction
Virtually maintenance free
UV & Impact Resistant
Standard sizes available from stock for quick dispatch



Technical Specification:

Sizes:	Ø600 mm to Ø1500 mm
Operating pressure:	Maximum 5MwC Short term
Valve cover angle	15° as standard except for flat-wall mounted models
Higher pressures and larger dimensions on request. Various connection options such as: PVC/HDPE tube, flange, wall, under an angle, concrete/SPIROsol.	

Materials

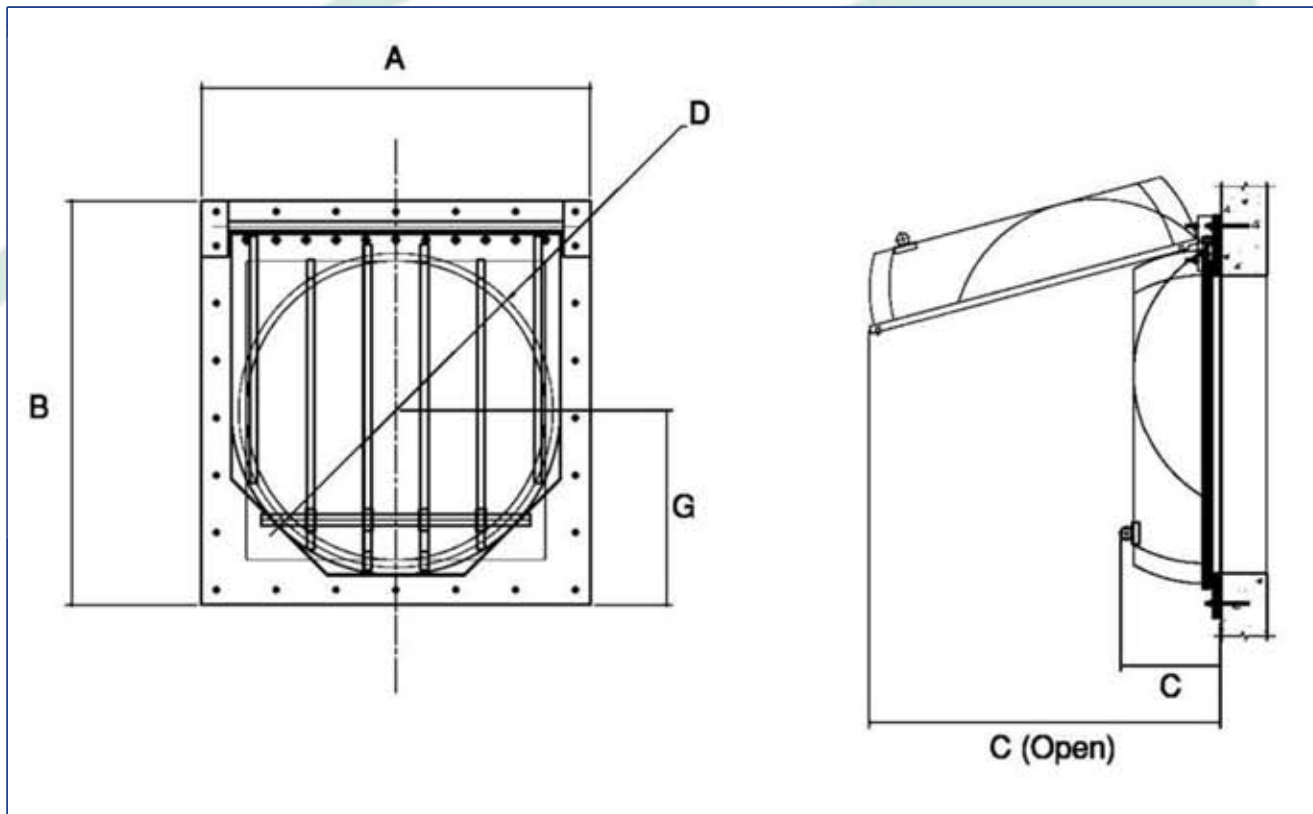
Valve plate:	HDPE
Back plate:	HDPE
Shaft and ballast weight:	SS316
Seal:	EPDM seal

Aquatic Control Engineering Ltd
01777 249080
info@aquaticcontrol.co.uk

Head Office
Hall Farm
Main Street
Rampton
Retford
Nottinghamshire
DN22 0HR

Flap Valve 600-1500mm

The original maintenance free flapvalve



NW mm	D mm	A mm	B mm	C mm	C (Open) mm	G mm
600	600	900	950	215	790	450
700	700	1000	1050	240	885	500
800	800	1100	1150	265	980	550
900	900	1200	1250	290	1080	600
1000	1000	1300	1350	325	1175	650
1200	1200	1500	1550	375	1370	750
1500	1500	1800	1900	460	1845	900

Product Overview

Flap valve, KLK 100-500 type
 Manufactured by: KWT Waterbeheersing
 Materials: HDPE, SS316, EPDM
 Standard passage: Ø 600 mm to Ø 1500 mm
 Working pressure: Maximum 5 MWC



The valve plate and the back plate are produced using HDPE. The hinge pin and ballast weight are produced in SS316 as standard. The ballast weight can be easily adjusted if required. The sealing arrangement consists of an EPDM lip seal in the back plate. The valve plate is also installed on an angle in relation to the back plate to ensure a good seal.

ACE have an In-house design team with unparalleled expertise in the water flow control. ACE can provide a full range of bespoke or modified Flapvalves tailored to your particular requirements.



Aquatic Control Engineering Ltd
 01777 249080
 info@aquaticcontrol.co.uk

Head Office
 Hall Farm
 Main Street
 Rampton
 Retford
 Nottinghamshire
 DN22 0HR