

ACE Drum Screen

...part of our Fish Migration Solutions range



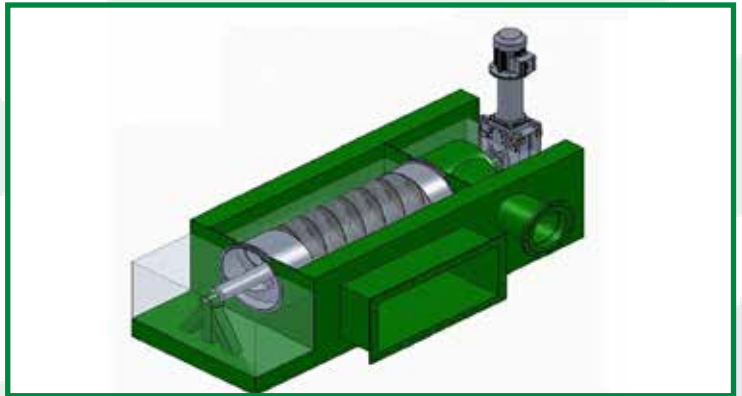
Many industrial facilities extract water from lakes, rivers or coastal waters for a number of industrial and public water supply needs. Whilst this abstraction is necessary, poor intake design can cause ecological damage and provide economical issues with low efficiency debris entrapment.

The ACE rotary drum screen has been designed to provide a solution to this and effectively separate solid objects from the water intake without affecting efficiency. The unique characteristics of the drum screen make it possible to return fish unharmed to surface waters whilst reducing the costs for the processing of solid wastes.

Innovative Design

The rotary drum consists of a mesh screen that is tightly fitted around an Archimedean screw. This screw is built in a composite material and has a specially designed entrance. As a result the rotary drum screen is 100 % fish-friendly and virtually maintenance free.

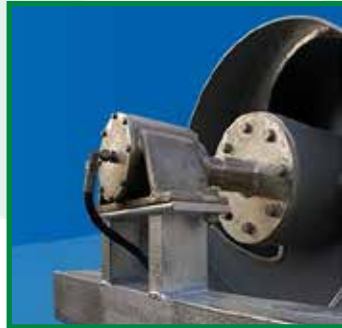
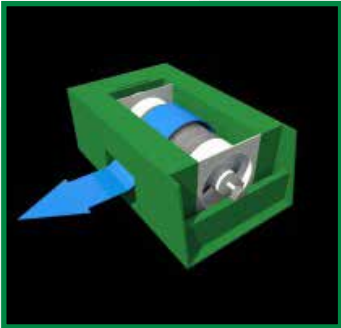
- 100% Fish Friendly Design
- Composite Material Construction
- Archimedean Screw Technology
- Variable mesh screen grains



Separation Principle

During operation, industrial intake pumps provide force water into the drum. The mesh screen allows water to easily exit the drum to the industrial facility and debris and fish to pass through the drum towards a safe outlet downstream of the intake. This allows for:

- Fully submerged passage for fish
- Reduction in additional filter and waste processing systems required



Wide Application

The ACE drum screen can be applied to a wide range of intake water facilities. The rotary drum screen can be tailored to the needs of each site including flow rate and the nature of suspended solids.

Aquatic Control Engineering Ltd

Ph: 01777 249080
www.aquaticcontrol.co.uk

Head Office
Hall Farm
Main Street
Rampton
Retford
Nottinghamshire
DN22 0HR